



### WM020 DN20

The Watts check valve type WM020 features noiseless operation, very low pressure loss and absolute sealing at high and low back pressures. The split valve stem principle guarantees a trouble free operation for many years.

#### Technical specifications

Working pres.	PN10
Testing pres.	1600 kPa
Closing pres.	10 cm wc
Nom. operating temp.	65 °C
Peak temp.	90 °C
	for 1 hour per day
Diam. nominal	DN20

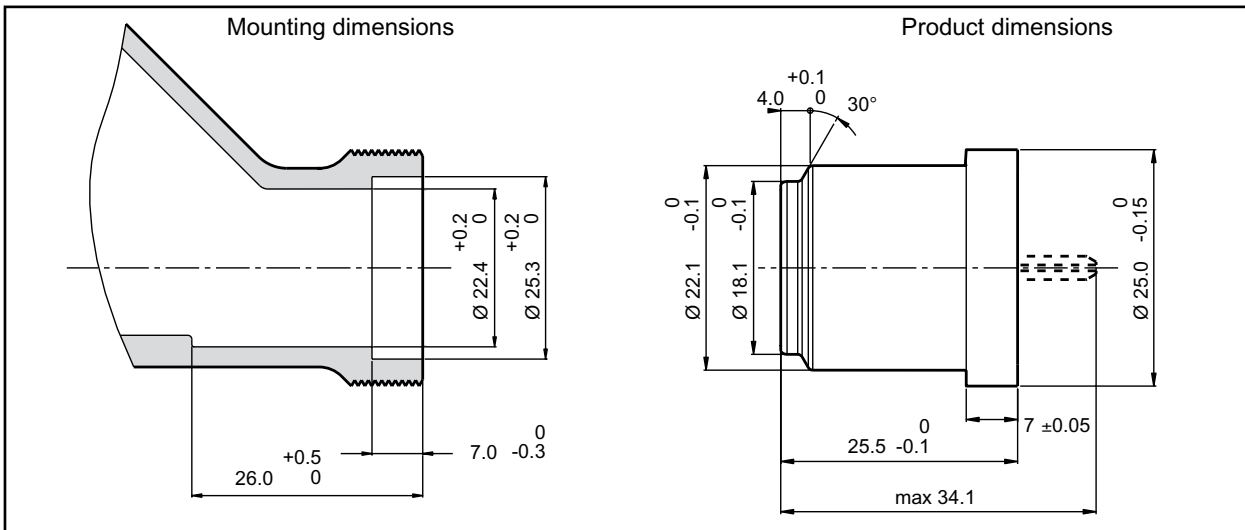
#### Approvals

Kiwa	NL
Belgaqua	B
DVGW	D
NF	F
ETA	DK
SITAC	S

#### Material specifications

House	POM
Valve	POM
Torpedo	POM
Diaphragm	NBR
Spring	Stainless Steel

Other diameters and other closing pressures on request.



Pressure loss-curve

